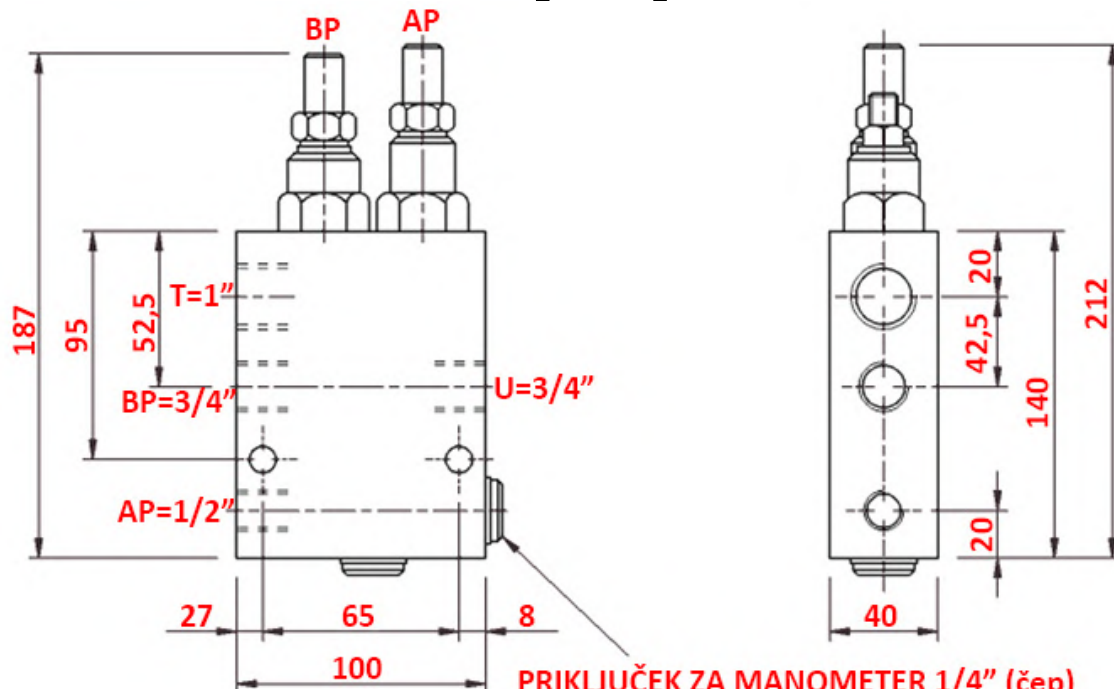
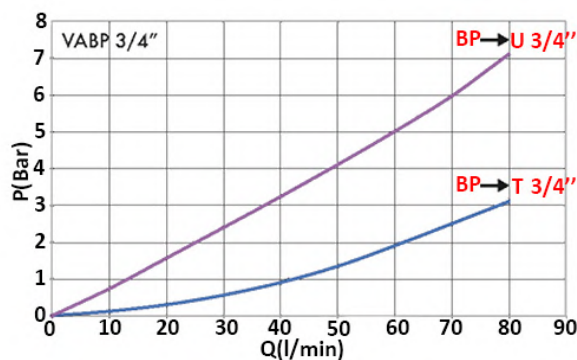
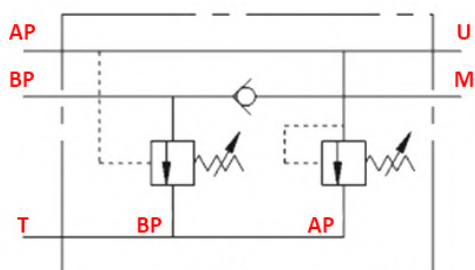


100898

[mm]



PRIKLJUČEK ZA MANOMETER 1/4" (čep)
Pressure gauge port 1/4" (plugged)



Šifra / Code		100898
Max. tlak / Max. pressure	[bar]	350
Max. najnižji tlak / Max. low pressure	[bar]	110
Tlak vzmeti / Spring pressure	[bar]	BP = 20-80 AP = 50-350
Max. pretok / Max. flow	[l/min]	AP = 40, BP = 80 T = 120
Priključek / Thread	["]	3/4"